

# Telescoping Brewer

- Meets Customer's Requirement: Fewer Inventories To Stock.
- Available In Two Model Configurations: ACE Series & FC Series.
- Four Configurations In One Brewer: TD Model, AP Model, LD Model, & TC Model.
- Universal Base: Accommodates All The Different Thermal Vessel Bases.
- Adjustable Cabinet: Cabinet Can Be Raised Or Lowered In Increments of 1 inch.  
(12 Available Positions).

## TD CONFIGURATION:

- Brews Into The 2.54L T-TEK Thermal Server With Regular Base.
- Brews Into The 1.9L & 2.54L ShurizJo Thermal Servers With Regular Base.
- Brews Into The 3.8L & 5.0L ShurizJo Thermal Servers Without Base.

## LD CONFIGURATION:

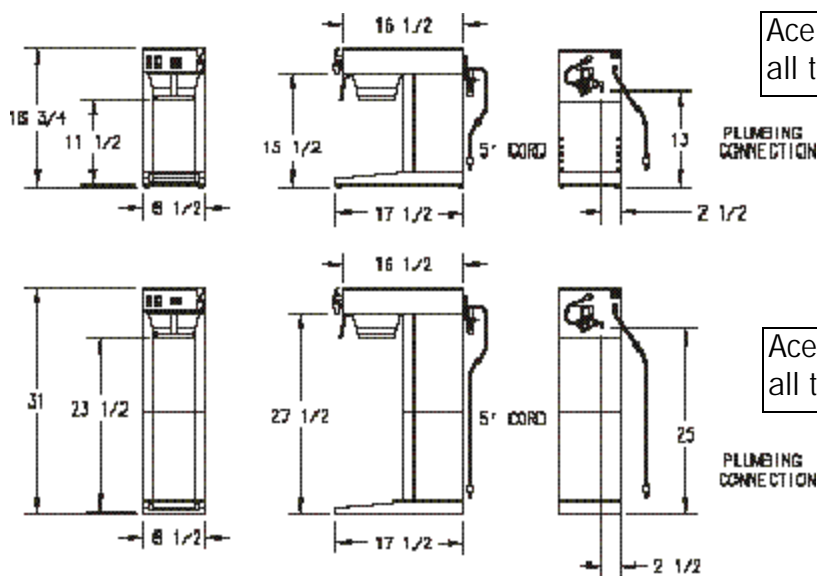
- Brews Into The 2.54L T-TEK Thermal Server Without Base.
- Brews Into The 1.9L Up To 5.0L ShurizJo Thermal Servers Without Base.
- Brews Into The 2.0L ShurizJo Airpot.

## AP CONFIGURATION:

- Brews Into The 2.0L Up To 2.5L E-Air Airpots.
- Brews Into The 1.9L Up To 3.0L Peacock Airpots.
- Brews Into The 2.0L Up To 3.5L ShurizJo Airpots.
- Brews Into The 2.2L Vaculator Airpots.

## TC CONFIGURATION:

- Brews Only Into The 1.9L Vaculator S/S Thermal Server - Tall.



	Base Model	Control Option	Part Number	Volts	Amps	Tank* Wattage	Cubic Feet	Ship Weight	Cord Attached
USA	Tele Ace	Telescoping	120750	120	15	1750	9.8	34	Yes
USA	Tele FC	Telescoping	120730	120	15	1750	9.8	34	Yes
Canada	Tele Ace	Telescoping	120750	120	15	1400	9.8	34	Yes
Canada	Tele FC	Telescoping	120730	120	15	1400	9.8	34	Yes

**Electrical:** 120V models are 2 wires plus ground service rated 120V, single phase, 60Hz. 120/240 V models are 3 wires plus ground service rated 120/240 V, single phase, 60Hz

**Plumbing:** Water line should be 20-90 PSI and have a minimum flow rate of 1.5 GPM. Mechanical connection on brewer is 1/4" male flare connector.

Corporate Offices  
1735 South River Rd  
St. Charles MO, 63303

Phone  
800.325.7867  
636.925.1202

Fax  
636.925.0029  
Technical Services  
636.925.0001

Internet  
www.newcocoffee.com

# One brewer...

Newco introduces a Telescoping Brewer that adjusts to fit your Dispenser.



# ...One solution

Adjust it up for tall dispensers  
Maximum Height of brewer: 26 1/2"  
Maximum Height of dispenser: 22 1/2"

Newco's Telescoping Brewer is adjustable in 12 one inch increments, The body moves up and down to fit the dispenser you want it to.



**UL** US LISTED



Adjust it down for short dispensers  
Min. Height of brewer: 18 3/4"  
Min. height of dispenser: 10 1/2"



**NEWCO**